

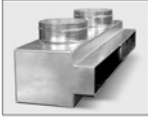
## Sharqawi Plenum Boxes




Sharqawi Vent	1
Spiro Vent	2
Sharqawi Double Wall	3
Sharqawi Rectangular	4
Spiro Silencers	5
Sharqawi Volume Control Damper	6
<b>Sharqawi Plenum Boxes</b>	<b>7</b>
Sand Trap Louver & Access Door	8
Spiro Accessories	9
Terms & Specifications	10



# Contents

Product	Type	Page
Linear Plenum Box		
	LPB.....	101

Product	Type	Page
Plenum Box for Rectangular Diffuser		
	DPB.....	308

- 1
- 2
- 3
- 4
- 5
- 6
- 7
- 8
- 9
- 10

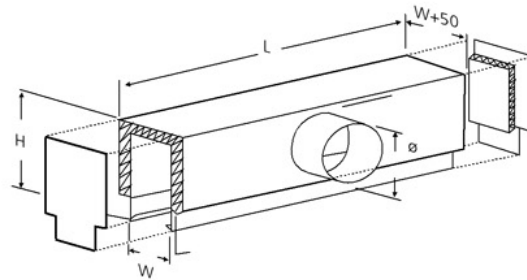


## Linear Plenum Box

# LPB



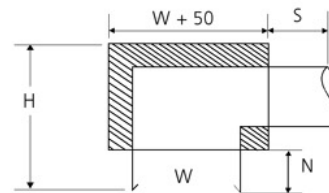
### Dimensions



### Description

- 24 - GA Galvanized Steel (G-90)
- Standard Liner - 48 kg/m<sup>3</sup> density x 25 mm thickness.
- H - Height (mm)
- L - Length (mm)
- N - Neck Length (70 mm standard)
- ø - Diameter
- S - Spigot Length (S) (250 mm with damper) (100 mm without damper)
- 1- slot equal 40 mm as a standard

- the spigot inlet can fix either on the top or on the side of the plenum box depending on site requirements.
- Dimensions H and W is based on the grille/diffuser neck size
- For round neck sizes see SPCR model Page No. 242



### Ordering

Product code: **LPB** **aaa** **bbb**

Type \_\_\_\_\_

H mm \_\_\_\_\_

W mm \_\_\_\_\_

1

2

3

4

5

6

7

8

9

10

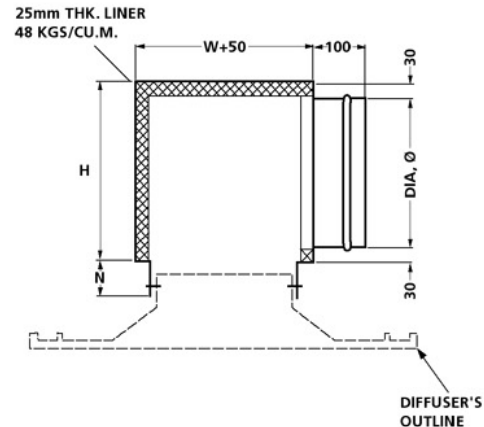


## Plenum Box for Rectangular Diffuser

# DPB



### Dimensions



### Description

The spigot inlet can fix either on the top or on the side of the box depending on site requirements

- H - Height (mm)
- L - Length (mm)
- N - Neck Length (70 mm standard)
- ø - Diameter
- S - Spigot Length (S) (250 mm with damper) (100 mm without damper)
- 1 - slot equal 40 mm as standard

- Box made of 24 Gage galvanized Steel (G90)
- Dimensions H and W in is based on the grill diffuser neck size
- Standard Liner - 48 kg/m<sup>3</sup> density x 25 mm thickness.
- For round neck sizes see SPCR model Page No. 242

#### Ordering

Product code: **DPB** **aaa** **bbb**

Type \_\_\_\_\_

H mm \_\_\_\_\_

W mm \_\_\_\_\_